

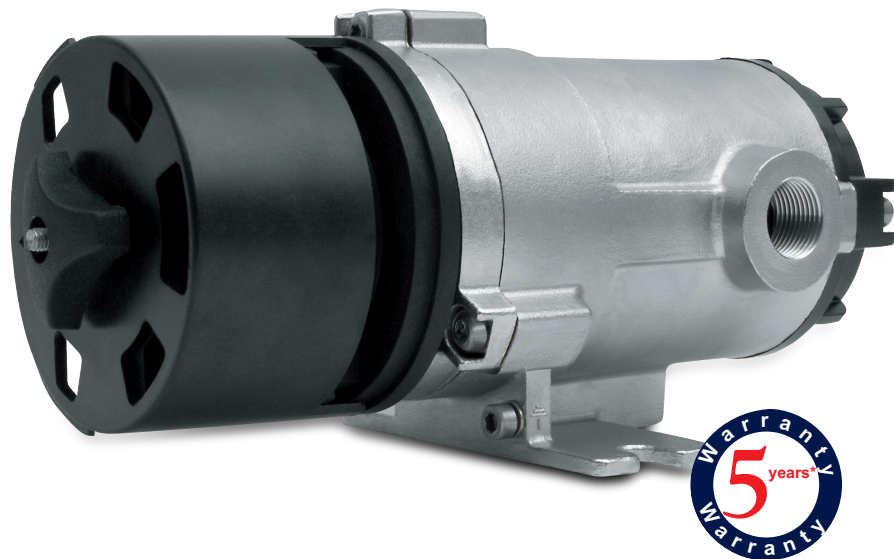


## OLCT IR FLAMMABLE GAS HAZARDS

### Infrared Transmitter Detector

Resistant to poisons and corrosion

- SIL2 Capability (according to EN 50402/EN61508)
- MTBF of 28 years (according to INERIS CGR 7448)
- Non-intrusive calibration
- Fail-safe technology



### CERTIFICATIONS



### *Detection, Protection, Innovation*

Oldham SAS has more than 100 years of experience in safety, gas and fire detection systems. Oldham SAS is headquartered in Arras, France, and is a subsidiary of Tyco Gas and Flame Detection. Oldham employs hundreds of people globally with operations in France, USA, China, India and Germany. Oldham's mission is to be the best provider of fixed-point gas detection systems worldwide. Its wide range of application-driven products and expertise embody performance, quality and reliability.

## Proven Leading-Edge Technology

### Reliability

- The OLCT IR is a highly reliable infrared gas detector. SIL2 capable according to the standard EN 50402, the OLCT IR has a probability of failure on demand (PFD) of 0.0016.
- Mean Time Between Failure (MTBF) is 28 years.

### Efficiency

- Based on the infrared absorption principle, the OLCT IR offers significant advantages when compared to catalytic detectors. Its dual source, four-beam technology further improves the unit's performance over other infrared detectors.

#### IR Technology:

- Quick response time
- Operates in oxygen-deficient atmospheres
- Fail safe

#### Measure without contact:

- No alteration of optical elements
- Minimal maintenance
- Resistant to poisons

#### Double sources / 4 beams:

- Compensation for dirty optics
- No long term drift caused by source and optical detector aging

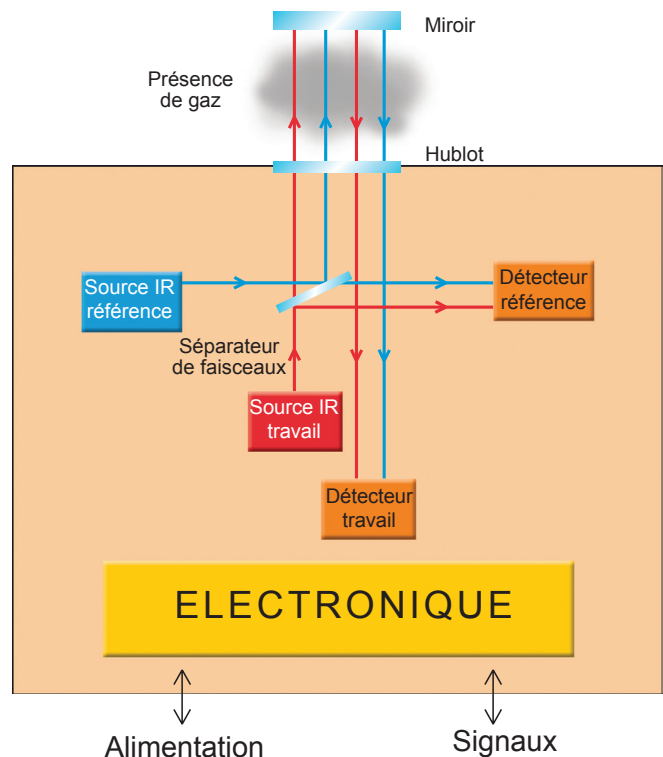
## Let's protect your personnel together

ATEX production certified, Oldham has provided entire gas measurement systems, from sensors to control units, for more than 50 years.

Our equipment meets the latest requirements of the European standards series EN 61779, which evaluates the performance of gas detectors and control units (response time, accuracy, resistance to poisons, alarm activation, etc.).

Trust us to help you choose a solution that complies to the ATEX 94/9/EC directive for safety equipment.

### Operating principle



## Accurate technology

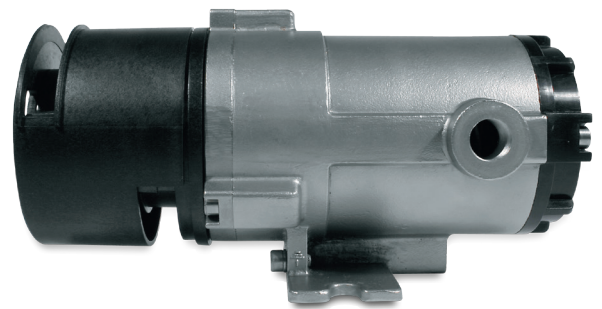
- Optical detectors continuously measure the intensity of infrared light sources. The intensity is maximal in the absence of gas, so any decrease in intensity will indicate that gas is present.

## Non intrusive calibration

- The OLCT IR is fitted with a non-intrusive system allowing a single operator to calibrate the transmitter without opening the housing. This allows the detector to be calibrated in an explosive area in compliance with safety rules.

## Reliable, maintenance-free detection

- The mirror and window are heated to prevent misting or icing of the optics and allow operation in harsh weather conditions.
- No sensitivity loss in case of high gas concentrations
- MTBF of 28 years
- Used in conjunction with the OLCT 60 or the OLCT 80, the OLCT IR is also available with display and internal relays.



OLCT IR combined  
with an OLCT 60

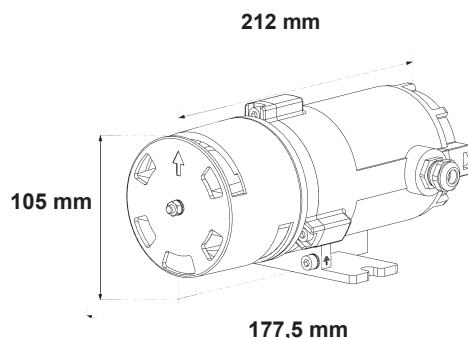
## Accessories

- Magnetic key for maintenance
- Weatherproofing
- Mounting bracket
- Gas intake pipe
- Calibration cup
- Mosquito guard

*The OLCT IR is an ideal detector for harsh applications such as refinery, onshore and offshore installations, LPG filling stations, compressor stations ...*

<b>Detection principle</b>	• Optics: infrared absorption
<b>Detected gases</b>	<ul style="list-style-type: none"> <li>• Hydrocarbons</li> <li>• Methane, propane/butane as standard</li> <li>• Others on request</li> </ul>
including CO <sub>2</sub>	
<b>Range</b> C <sub>4</sub> H <sub>10</sub>	<ul style="list-style-type: none"> <li>• 0-100% LEL CH<sub>4</sub>, C<sub>3</sub>H<sub>8</sub>,</li> <li>• 0-100% of volume CH<sub>4</sub></li> <li>• 0-3% of volume CO<sub>2</sub></li> </ul>
<b>Housing</b>	• 316L Stainless Steel
<b>Ingress protection</b>	• IP66 / IP67, DIN 40050
<b>Sensitivity</b>	• 1% LEL
<b>Accuracy</b>	<ul style="list-style-type: none"> <li>• +/-3% LEL CH<sub>4</sub> or +/- 5% of the value</li> <li>• +/-2% LEL HC or +/- 3% of the value</li> </ul>
<b>Response time</b>	• T90 < 8 sec.
<b>Self test</b>	• Continuous
<b>Calibration</b>	• In factory or locally
<b>Humidity range</b> (without condensation)	• 0 to 99%
<b>Output signal</b>	• 4-20 mA
<b>Max load resistance</b>	• 300 Ω
<b>Trouble signals</b>	<ul style="list-style-type: none"> <li>• Line fault (0 mA)</li> <li>• Optics fault (0.5 mA)</li> <li>• Other fault (1 mA)</li> <li>• Calibration mode (2 mA)</li> <li>• Scale over range (23 mA)</li> </ul>
<b>Power supply</b>	• 15 to 30 VDC at detector terminal
<b>Average consumption</b>	• 2.5 W

<b>Connection</b>	• 3 active wires, shielded cable
<b>Maximum resistance per conductor of detector/central unit cable</b>	• 8 Ω (250 m in 1.5 mm <sup>2</sup> ) under 21 VCC
<b>Type of cable inlet</b>	• M20, Cable gland not supplied
<b>Operating temperature</b>	<ul style="list-style-type: none"> <li>• -25°C to +55°C on standard version or</li> <li>• -50°C to +55°C on CH<sub>4</sub> version</li> </ul>
	(P/N WIRCH4LBT) & Propane (P/N WIRPROLBT)
<b>Storage temperature</b>	• - 50°C to +55°C
<b>Weight and dimensions</b>	• 212 x 105 x 120 mm; 1.6 kg
<b>EC Electromagnetic compatibility</b>	• Complies with EN 50270
<b>Certifications</b>	<ul style="list-style-type: none"> <li>• Ineris 03ATEX0141X</li> <li>• Ex d e ia IICT4 II 2GD</li> <li>• Ex tD A21 IP66 T135°C</li> <li>• T. amb: -50°C to + 65°C</li> </ul>
	<ul style="list-style-type: none"> <li>• IECEx INE 07.0005X</li> <li>• Ex d e ia IICT4 II 2GD</li> <li>• Ex tD A21 IP66 T135°C</li> <li>• T. amb: -50°C to + 65°C</li> </ul>
<b>Performance</b>	<ul style="list-style-type: none"> <li>• INERIS 03ATEX0141X</li> <li>• EN 61779-1, -4</li> </ul>
<b>SIL capability</b>	<ul style="list-style-type: none"> <li>• INERIS 03ATEX0141X/02</li> <li>• SIL 2 capability</li> <li>• EN 50402/EN 61508</li> </ul>



As an ISO 9001 & ISO 14001 approved company, OLDHAM quality assurance programmes demand the continuous assessment and improvement of all OLDHAM products. Information in this leaflet could thus change without notification and does not constitute a product specification. Please contact OLDHAM or their representative if you require more details.

**EMEA**  
Oldham Headquarter  
ZI Est, Rue Orfila,  
CS 20417  
62227 ARRAS CEDEX  
France  
Tel : +33 (0) 3 21 60 80 80  
Fax : +33 (0) 3 21 60 80 00  
info@oldhamgas.com

**AMERICAS - Houston (USA)**  
4320 Goldmine Road  
Monroe, NC 28110  
USA  
Tel : +1 800 247 7257  
Fax : +1 704 291 8330  
sh-sale@tycoint.com

**ASIA PACIFIC - Shanghai (CN)**  
Oldham Instrument Shanghai Ltd.  
290 Guiqiao Road  
Pudong, Shanghai 201206  
People's Republic of China  
Tel : +86 21 3127 6373  
Fax : +86 21 3127 6365  
sales@oldhamgas.com