

Ex d(e), Weatherproof



Introduction

These compact and lightweight 10 & 15 Joule beacons have been designed for use in potentially explosive atmospheres and harsh environmental conditions. The beacon housing, including the flamepaths, is manufactured completely from a UV stable glass reinforced polyester which is ideally suited for use offshore and onshore.

Stainless Steel screws and mounting bracket are incorporated ensuring a totally corrosion free unit.

An additional body clamp is available for high-vibration environments.

Units can be painted to customer specification and supplied with identification labels.

Features

- Zone 1 and Zone 2 use.
- Ex d(e) IIB T4.
- ATEX Approved, Ex II 2G.
- BASEEFA certified.
- IECEx certified Gb.
- CUTR certified.
- Brazilian (Inmetro) certified.
- IP66 and IP67.
- Certified Temperature: -55°C to +55°C*.
- Low current 10 Joule version available.
- Corrosion Free GRP.
- Various lens colours.
- Lens guard fitted as standard.
- Stainless steel mounting bracket & screws.
- Replaceable twin tubes.
- Optional telephone initiate.
- Optional earth continuity.

* Model dependent.



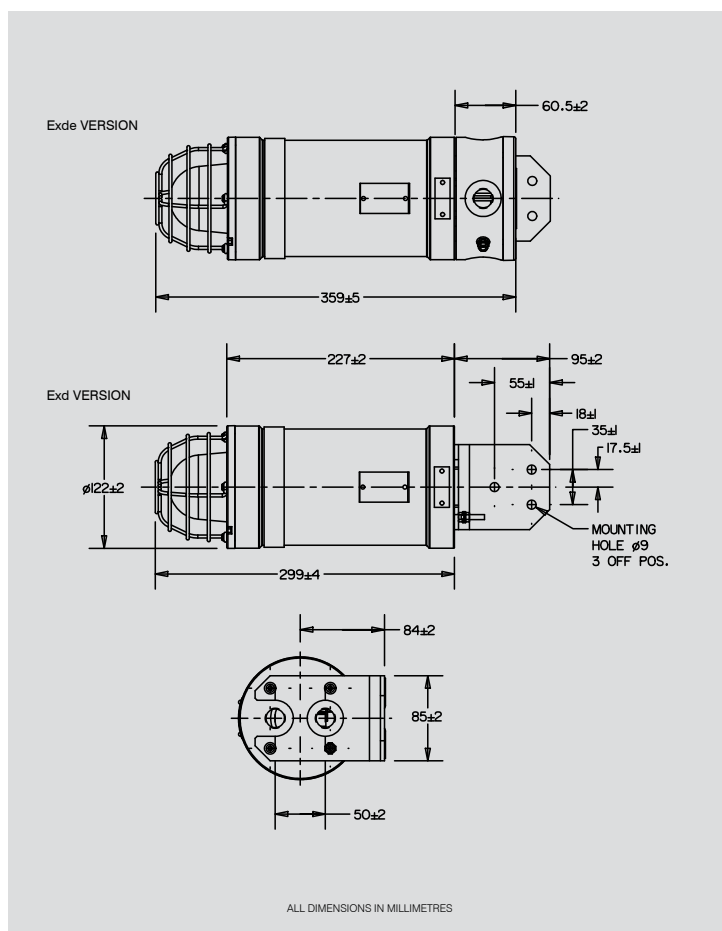
Certification and Specification

ATEX Ex d:	Cert. no. Baseefa 04ATEX2204X. Certified to: EN60079-0, EN60079-1. Ex II 2G, Ex d IIB T4 Gb.
ATEX Ex de:	Cert. no. Baseefa 04ATEX2226X. Certified to: EN60079-0, EN60079-1, EN60079-7. Ex II 2G, Ex de IIB T4 Gb.
IECEX Ex d:	Cert. no. IECEX BAS 10.0086X. Certified to: IEC60079-0, IEC60079-1. Ex d IIB T4 Gb.
IECEX Ex de:	Cert. no. IECEX BAS 10.0087X. Certified to: IEC60079-0, IEC60079-1, IEC60079-7. Ex de IIB T4 Gb.
CUTR Ex d:	1Ex d IIB T4 Gb. Russian Fire Alarm approved.
CUTR Ex de:	1Ex de IIB T4 Gb. Russian Fire Alarm approved.
Inmetro Ex d:	Ex d IIB T4 Gb.
Inmetro Ex de:	Ex de IIB T4 Gb.
Material:	Body: Glass reinforced polyester. Lens: Glass. Cover Screws + Bracket: Stainless steel 316.
Finish:	Natural black or painted to customer specification.
Weight:	Exd 2.8kg, Exde 3.6kg.
Certified Temp:	15J unit: Exd -55°C to +50°C. Exde -50°C to +50°C. 10J unit: Exd -55°C to +65°C. Exde -50°C to +65°C.
Ingress Protection:	IP66 & IP67.
Fire Retardancy:	GRP is fire retardant to ISO 1210.
Terminals:	4 x 2.5mm ² (d.c.), 6 x 2.5mm ² (a.c.).
Mounting:	Wall mounted via bracket.
Tube Life:	> 1x10 ⁶ flashes

Electrical Ratings:

Voltage	d.c.				a.c.			
	24	48	110	220/240/254	10	15	10	15
Tube Energy (J)	10	15	10	15	10	15	10	15
Peak Current	700	1200	300	560	190	300	100	145
Consumption (mA)	285	330	285	330	285	330	285	330
Effective Intensity (Cd)	285	330	285	330	285	330	285	330
Peak Intensity (Cd)	74179	111269	74179	111269	74179	111269	74179	111269
Power Consumption (W)	16.8	28.8	14.4	26.8	20.9	33	24	34.8
Flash Rate	1Hz (other flash rates available on request, please specify).							

Note: The above figures (Cd) are for a clear lens @ 1Hz flash rate.



Entries:	Up to 2 x M20 (Exd). Up to 3 x M20 (Exde).
Optional:	1 x 3m cable tail (both Exd & Exde).

Multiplying Factor for Coloured Lenses:

Red	Blue	Amber	Green	Yellow
0.15	0.12	0.51	0.49	0.86

The photometric data has been verified by BSI. A report is available if required.

Ordering Requirements

The following code is designed to help in selection of the correct unit. Build up the reference number by inserting the code for each component into the appropriate box.

Model	Certification	Voltage	Power	Lens Colour	Tag/Duty	Options	Entries	Finish	
XB10									
Certification	Code	Voltage	Code	Lens Colour	Code	Options	Code	Finish	Code
Uncertified	W	24V d.c.	024	Red	R	Telephone Initiate	T	Natural Black	N
Ex d	D	48V d.c.	048	Blue	B	Earth Continuity	E	Red	R
Ex de	E	110V a.c.	110	Green	G	3m cable tail	G	Blue	B
IECEX Ex d	DJ	220V a.c.	220	Amber	A	None	N	Yellow	Y
IECEX Ex de	EJ	240V a.c.	240	Yellow	Y			Grey	G
CUTR Ex d	DG*	254V a.c.	254	Clear	C			White	W
CUTR Ex e	EG*							Special	S*
Inmetro Exd	DM								
Inmetro Exde	EM								
		Power	Code	Label	Code				
		10J	T	None	N				
		15J	F	Yes	Y*				

* Russian Fire Approval as standard.

*Please specify wording.

*Please specify.

All specifications, dimensions, weights and tolerances are nominal (typical) and MEDC reserve the right to vary all data without prior notice. No liability is accepted for any consequence of use.

